

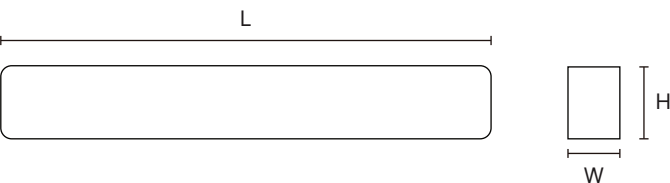
Type _____
 Project _____
 Notes _____



**AVL-L19007
 LINEAR LUMINAIRE**

Aluminum 6063 casing and PMMA diffuser
 Aluminum die-casting alloy and caps
 Suspension mounted
 Bilateral, offers direct and indirect lighting
 Includes 1.5m mounting cable
 Variety of beam angles

TECHNICAL DRAWING



AVL-L19007: L 1136mm x W 62mm x H 82mm
 (L 44.72" x E 2.44" x H 3.23")

PRODUCT SPECIFICATIONS

Units in Metric

Summary	AVL-L19007 (Direct/Down)	AVL-L19007 (Indirect/ Up)
Dimensions (mm)	L 1135 x W 62 x H 82	L 1135 x W 62 x H 82
Lumen Output	3600 lm	1650 lm
Power Consumption	30 W	15 W
Input Voltage	120-277V AC	120-277V AC
CCT	3000K, 3500K, 4000K	3000K, 3500K, 4000K
UGR	<19	<19
IP	IP20	IP20
Warranty	5 Years	5 Years

ORDER FORM

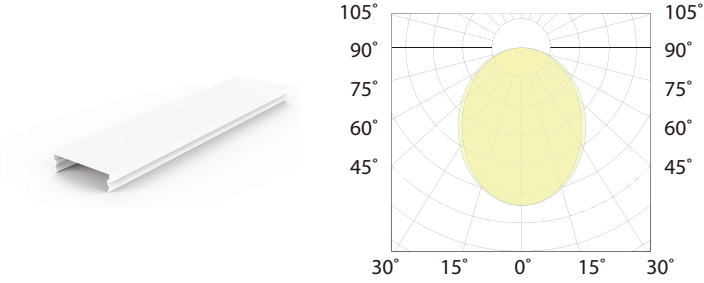
1	2	3	4	5	6	7	8
1. FAMILY	2. SIZE	3. VOLTAGE	4. CCT (Down)	5. CCT (Up)	6. DIMMING	7. MOUNT	8. BEAM ANGLE
AVL-L19007	UD 1135 x 62 x 82	A 120-277V AC	30 3000K 35 3500K 40 4000K	30 3000K 35 3500K 40 4000K	NN None DM 0-10V TRI TRIAC	P Pendant C Ceiling R Recessed W Wall	
A 103°	D 15°						
B 80°	E 60°						
C 100°	F 100°						

Type _____
Project _____
Notes _____

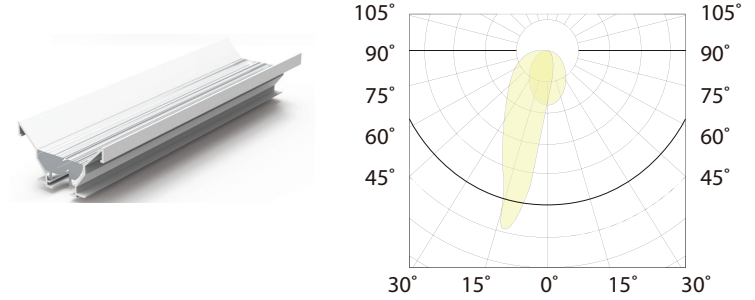


ADVANT
LIGHTING

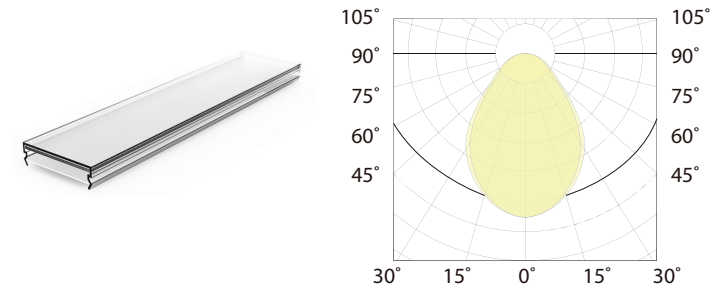
Model: AVL-L19007-A
Beam Angle: 103°



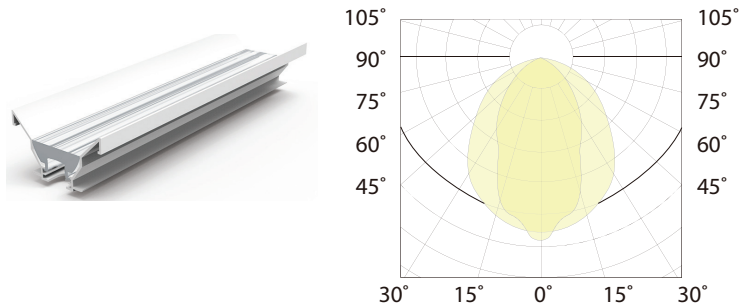
Model: AVL-L19007-D
Beam Angle: 15°



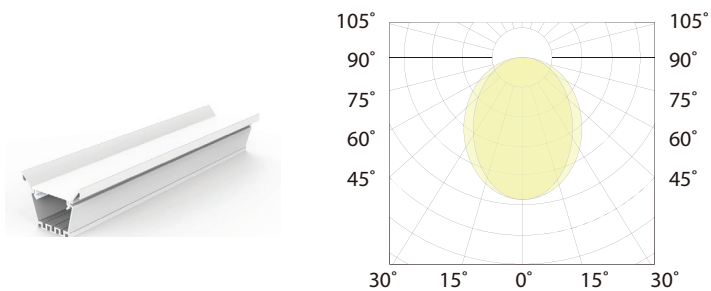
Model: AVL-L19007-B
Beam Angle: 80°



Model: AVL-L19007-E
Beam Angle: 60°



Model: AVL-L19007-C
Beam Angle: 100°



Model: AVL-L19007-F
Beam Angle: 100°

