

Type

Project

Notes



ADVANT LIGHTING



AP-FR4C

Round Shower Trim

Housing-free light engine install quickly.

Ease of installation, fast-mount features.

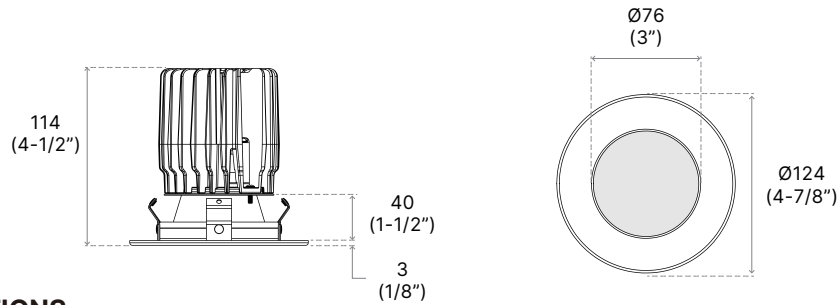
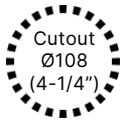
*Ra80 is only with 2700K and 3000K



IP65
RATED & TESTED

5 YEARS
LIMITED WARRANTY
INCLUDED

TECHNICAL DRAWING



Units in Metric

PRODUCT SPECIFICATIONS

Summary	AP-FR-4C-10	AP-FR-4C-15	AP-FR-4C-24
Dimensions	Ø124mm x 114mm	Ø124mm x 114mm	Ø124mm x 114mm
Power Consumption	10 W	15 W	24 W
Lumen Output	764 lm	1048 lm	1680 lm
Input Voltage	120-277V AC	120-277V AC	120-277V AC
Colour Temperature	2700K, 3000K, 3500K, 4000K	2700K, 3000K, 3500K, 4000K, WD	2700K, 3000K, 3500K, 4000K
Finish	Gold, Chrome, White, Brushed Nickel, Satin Nickel, Black		
CRI	*Ra80, Ra90	*Ra80, Ra90	*Ra80, Ra90
Beam Angle	48° (Flood)	48° (Flood)	48° (Flood)
Warranty	5 Years	5 Years	5 Years

ORDER FORM

1	2	3	4	5	6	7	8	9
1. FAMILY	2. SIZE	3. WATTAGE		4. VOLTAGE	5. CCT			
AP-FR	4C Ø124 x 114	10 10W 15 15W	24 24W	A 120-277V AC	27 2700K 30 3000K	35 3500K 40 4000K	WD Warm Dimming (15W Only)	
6. DIMMING	7. CRI	8. BEAM ANGLE		9. FINISH				
DM 0-10V Dimming TRI TRIAC Dimming	80 *Ra80 90 Ra90	48 48°		CH Chrome AL Aluminum	SN Satin Nickel BN Brushed Nickel	WH White BK Black		

Type _____

Project _____

Notes _____



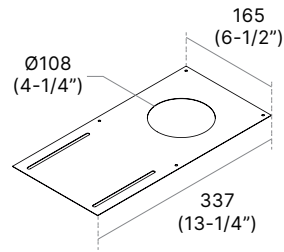
OPTIONS & ACCESSORIES

MOUNTING PLATE

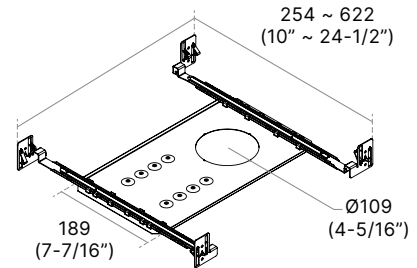
Ideal for unfinished basements and other renovation projects.
Choice of Square or Round for 3.5" Remodel housings.
Adjustable mounting bars included.



CODE	DESCRIPTION	HOLE DIAMETER	DIMENSIONS
P4RN	Without Mounting Bars	Ø108 (4-1/4")	165 x 337 (6-1/2" x 13-1/4")
P4RNV	With Mounting Bars	Ø109 (4-5/16")	388 x 254 ~ 622 (15-5/16" x 10" ~ 24-1/2")



P4RN



P4RNV

LENSES

Choice of replacement lenses for on-site modification of light diffusion.
Shower Light trims available only with Frosted lens.
*Wall Wash trims available only with Frosted/Frosted lens.



CL Clear



FR Frosted



LN Linear



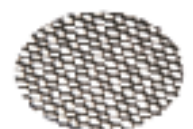
FC Frosted Clear Center



SL Solite



PR Prismatic



HC Honeycomb

Type

Project

Notes



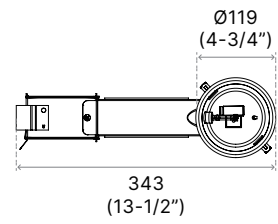
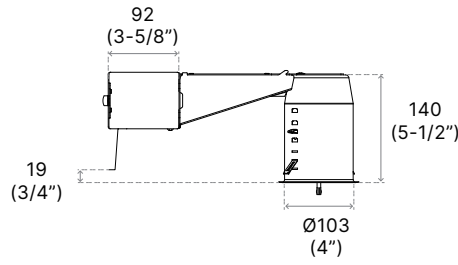
HOUSINGS



REMODEL IC

REUR	4	V	
-------------	----------	----------	--

1. MODEL	2. SERIES	3. VOLTAGE	4. DIMMING
REUR Remodel Housing	4 4"	V 120-277V AC	E1 ELV 10W D1 0-10V 10W E2 ELV 15W D2 0-10V 15W EB2 ELV (+VALUE) 15W ND Non-dimmable 15W



NEW CONSTRUCTION IC

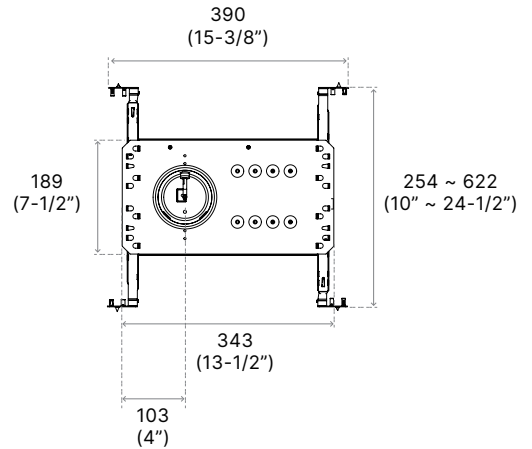
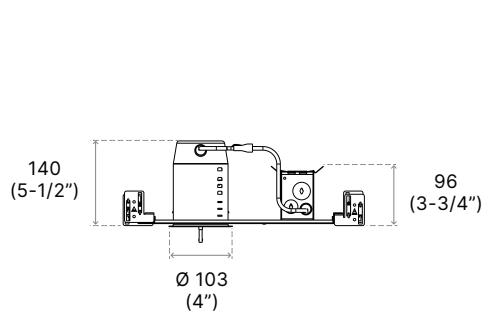


NWUR	4	V	
-------------	----------	----------	--

1. MODEL	2. SERIES	3. VOLTAGE	4. DIMMING
NWUR New Construction Housing	4 4"	V 120-277V AC	E1 ELV 10W D1 0-10V 10W E2 ELV 15W D2 0-10V 15W EB2 ELV (+VALUE) 15W ND Non-dimmable 15W

5. OPTION

EM Emergency Back up



Type

Project

Notes



ADVANT LIGHTING

HOUSINGS



Classic New Construction IC

ISUR	4	V	
1. MODEL	2. SERIES	3. VOLTAGE	4. DIMMING
ISUR IC and Air Tight Housing	4 4"	V 120-277V AC	E1 ELV 10W E2 ELV 15W EB2 ELV (+VALUE) 15W D1 0-10V 10W D2 0-10V 15W ND Non-dimmable 15W

