

Type

Project

Notes



### AP-FR4K

#### Square Regressed Wall Wash Trim with Square Opening

Housing-free light engine install quickly.

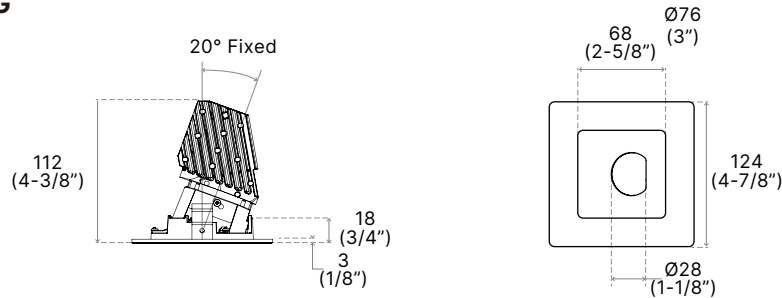
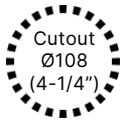
20° fixed tilted angle design.

Ease of installation, fast-mount features.

\*Ra80 is only with 2700K and 3000K



### TECHNICAL DRAWING



Units in Metric

### PRODUCT SPECIFICATIONS

Summary	AP-FR-4K-10	AP-FR-4K-15
Dimensions	124mm x 124mm x 112mm	124mm x 124mm x 110mm
Power Consumption	10 W	15 W
Lumen Output	516 lm	672 lm
Input Voltage	120-277V AC	120-277V AC
Colour Temperature	2700K, 3000K, 3500K, 4000K	2700K, 3000K, 3500K, 4000K, WD
Finish	Gold, Chrome, White, Brushed Nickel, Satin Nickel, Black	Gold, Chrome, White, Brushed Nickel, Satin Nickel, Black
CRI	*Ra80, Ra90	*Ra80, Ra90
Beam Angle	67° (Flood)	67° (Flood)
Warranty	5 Years	5 Years

### ORDER FORM

1	2	3	4	5	6	7	8	9
1. FAMILY	2. SIZE	3. WATTAGE		4. VOLTAGE	5. CCT			
AP-FR	4K 124 x 124 x 112	10 10W	15 15W	A 120-277V AC	27 2700K	35 3500K	WD Warm Dimming (15W Only)	
					30 3000K	40 4000K		
6. DIMMING	7. CRI	8. BEAM ANGLE		9. FINISH				
DM 0-10V Dimming	80 *Ra80	67	67°	CH Chrome	SN Satin Nickel	WH White		
TRI TRIAC Dimming	90 Ra90			AL Aluminum	BN Brushed Nickel	BK Black		

Type \_\_\_\_\_

Project \_\_\_\_\_

Notes \_\_\_\_\_



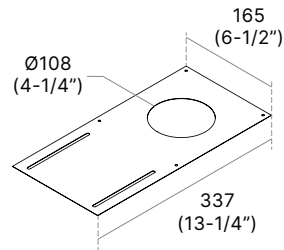
## OPTIONS & ACCESSORIES

### MOUNTING PLATE

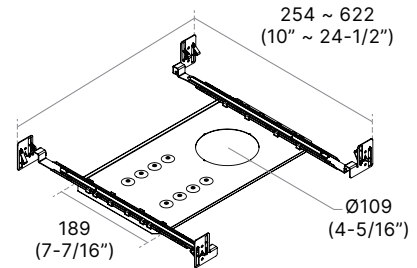
Ideal for unfinished basements and other renovation projects.  
Choice of Square or Round for 3.5" Remodel housings.  
Adjustable mounting bars included.



CODE	DESCRIPTION	HOLE DIAMETER	DIMENSIONS
<b>P4RN</b>	Without Mounting Bars	Ø108 (4-1/4")	165 x 337 (6-1/2" x 13-1/4")
<b>P4RNV</b>	With Mounting Bars	Ø109 (4-5/16")	388 x 254 ~ 622 (15-5/16" x 10" ~ 24-1/2")



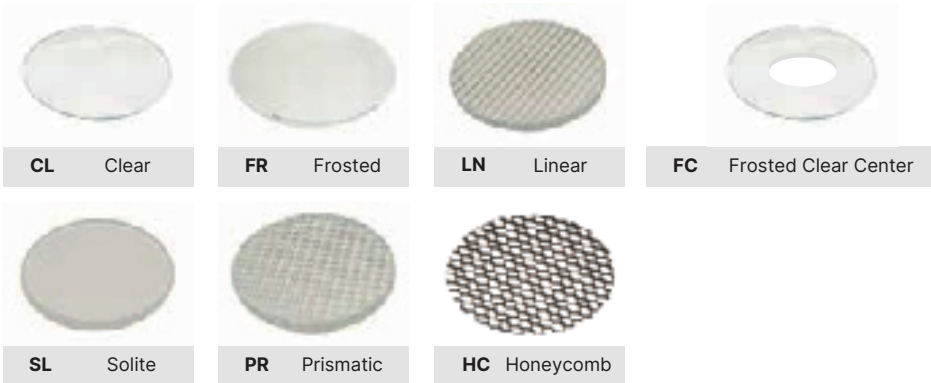
**P4RN**



**P4RNV**

### LENSES

Choice of replacement lenses for on-site modification of light diffusion.  
Shower Light trims available only with Frosted lens.  
\*Wall Wash trims available only with Frosted/Frosted lens.



Type

Project

Notes



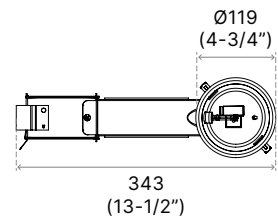
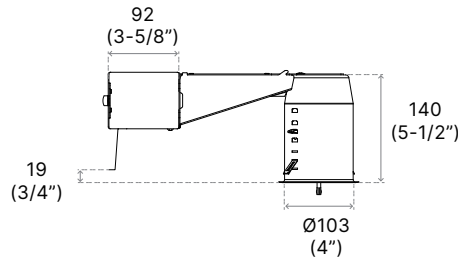
# HOUSINGS



## REMODEL IC

<b>REUR</b>	<b>4</b>	<b>V</b>	
-------------	----------	----------	--

1. MODEL	2. SERIES	3. VOLTAGE	4. DIMMING
<b>REUR</b> Remodel Housing	<b>4</b> 4"	<b>V</b> 120-277V AC	<b>E1</b> ELV 10W <b>D1</b> 0-10V 10W <b>E2</b> ELV 15W <b>D2</b> 0-10V 15W <b>EB2</b> ELV (+VALUE) 15W <b>ND</b> Non-dimmable 15W



## NEW CONSTRUCTION IC

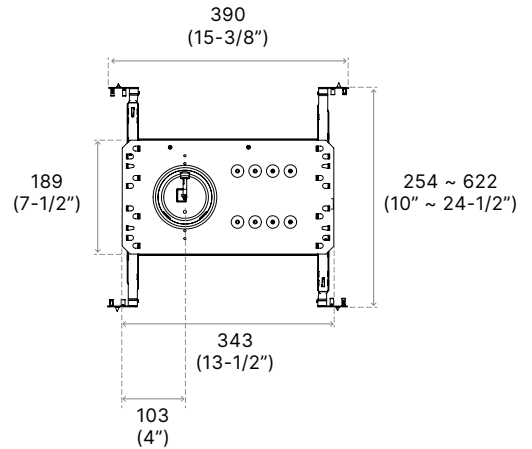
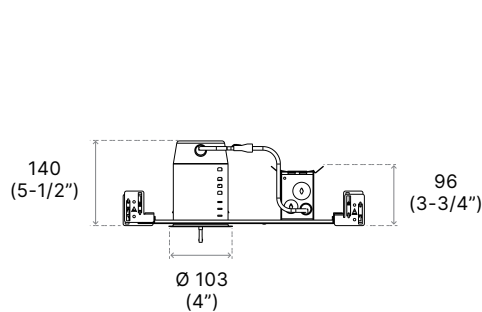


<b>NWUR</b>	<b>4</b>	<b>V</b>	
-------------	----------	----------	--

1. MODEL	2. SERIES	3. VOLTAGE	4. DIMMING
<b>NWUR</b> New Construction Housing	<b>4</b> 4"	<b>V</b> 120-277V AC	<b>E1</b> ELV 10W <b>D1</b> 0-10V 10W <b>E2</b> ELV 15W <b>D2</b> 0-10V 15W <b>EB2</b> ELV (+VALUE) 15W <b>ND</b> Non-dimmable 15W

### 5. OPTION

**EM** Emergency Back up



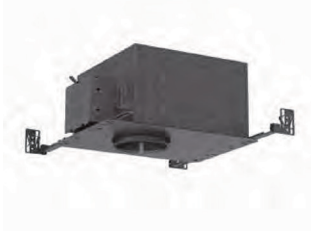
Type

Project

Notes



## HOUSINGS



### Classic New Construction IC

ISUR	4	V	
1. MODEL	2. SERIES	3. VOLTAGE	4. DIMMING
<b>ISUR</b> IC and Air Tight Housing	<b>4</b> 4"	<b>V</b> 120-277V AC	<b>E1</b> ELV 10W <b>D1</b> 0-10V 10W <b>E2</b> ELV 15W <b>D2</b> 0-10V 15W <b>EB2</b> ELV (+VALUE) 15W <b>ND</b> Non-dimmable 15W

