

Type

Project

Notes



AP-FR4B

Square Adjustable Trim

Housing-free light engine install quickly.

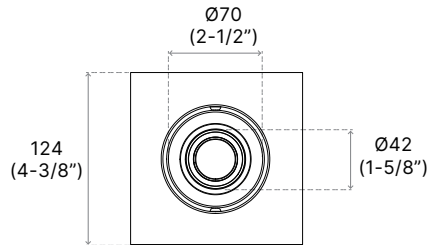
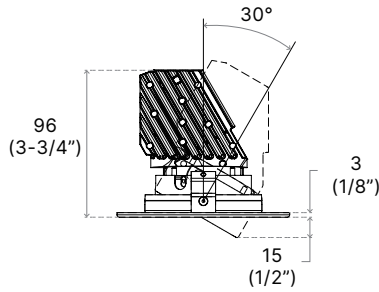
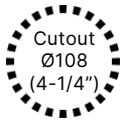
Innovative tilting angle design.

Ease of installation, fast-mount features.

*Ra80 is only with 2700K and 3000K



TECHNICAL DRAWING



Units in Metric

PRODUCT SPECIFICATIONS

| Summary | AP-FR-4B-10 | AP-FR-4B-15 |
|---------------------------|--|--|
| Dimensions | 124mm x 124mm x 96mm | 124mm x 124mm x 96mm |
| Power Consumption | 10 W | 15 W |
| Lumen Output | 915 lm | 1255 lm |
| Input Voltage | 120-277V AC | 120-277V AC |
| Colour Temperature | 2700K, 3000K, 3500K, 4000K | 2700K, 3000K, 3500K, 4000K, WD |
| Finish | Gold, Chrome, White, Brushed Nickel, Satin Nickel, Black | Gold, Chrome, White, Brushed Nickel, Satin Nickel, Black |
| CRI | *Ra80, Ra90 | *Ra80, Ra90 |
| Beam Angle | 16° (Spot), 32° (Narrow Flood), 48° (Flood) | 16° (Spot), 32° (Narrow Flood), 48° (Flood) |
| Warranty | 5 Years | 5 Years |

ORDER FORM

| 1 | 2 | 3 | 4 | 5 | 6 | 7 | 8 | 9 |
|--------------------------|--------------------------|---------------|---------------|----------------------|--------------------------|-----------------|-----------------------------------|---|
| 1. FAMILY | 2. SIZE | 3. WATTAGE | | 4. VOLTAGE | 5. CCT | | | |
| AP-FR | 4B 124 x 124 X 96 | 10 10W | 15 15W | A 120-277V AC | 27 2700K | 35 3500K | WD Warm Dimming (15W Only) | |
| | | | | | 30 3000K | 40 4000K | | |
| 6. DIMMING | 7. CRI | 8. BEAM ANGLE | | 9. FINISH | | | | |
| DM 0-10V Dimming | 80 *Ra80 | 16 16° | | CH Chrome | SN Satin Nickel | WH White | | |
| TRI TRIAC Dimming | 90 Ra90 | 32 32° | | AL Aluminum | BN Brushed Nickel | BK Black | | |
| | | 48 48° | | | | | | |

Type _____

Project _____

Notes _____



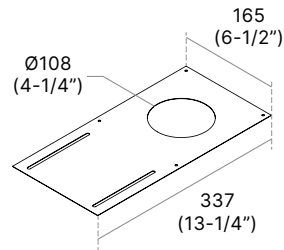
OPTIONS & ACCESSORIES

MOUNTING PLATE

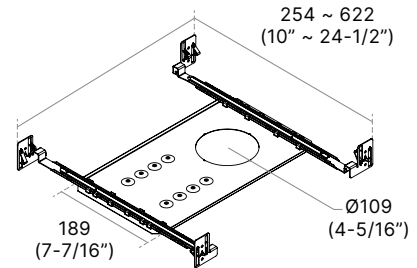
Ideal for unfinished basements and other renovation projects.
Choice of Square or Round for 3.5" Remodel housings.
Adjustable mounting bars included.



| CODE | DESCRIPTION | HOLE DIAMETER | DIMENSIONS |
|--------------|-----------------------|----------------|--|
| P4RN | Without Mounting Bars | Ø108 (4-1/4") | 165 x 337 (6-1/2" x 13-1/4") |
| P4RWN | With Mounting Bars | Ø109 (4-5/16") | 388 x 254 ~ 622 (15-5/16" x 10" ~ 24-1/2") |



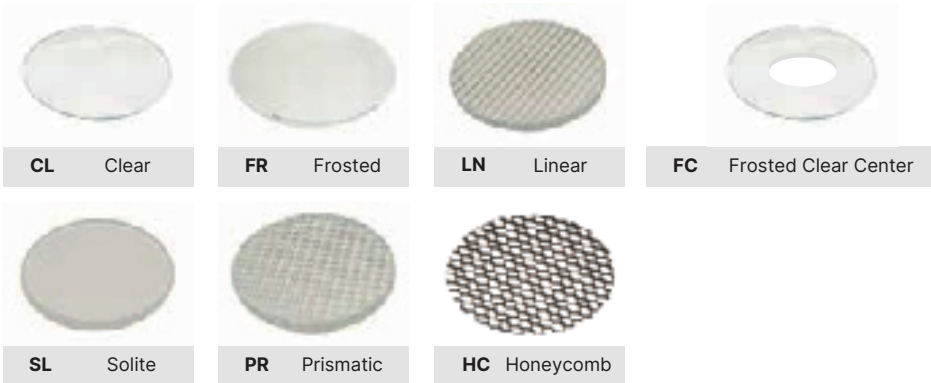
P4RN



P4RWN

LENSES

Choice of replacement lenses for on-site modification of light diffusion.
Shower Light trims available only with Frosted lens.
*Wall Wash trims available only with Frosted/Frosted lens.



Type

Project

Notes



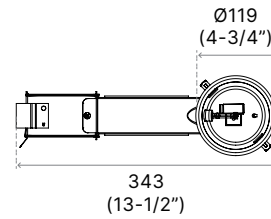
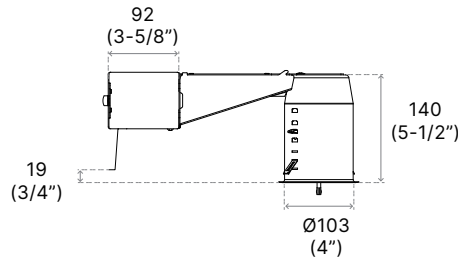
HOUSINGS



REMODEL IC

| | | | |
|-------------|----------|----------|--|
| REUR | 4 | V | |
|-------------|----------|----------|--|

| 1. MODEL | 2. SERIES | 3. VOLTAGE | 4. DIMMING |
|-----------------------------|-------------|----------------------|--|
| REUR Remodel Housing | 4 4" | V 120-277V AC | E1 ELV 10W D1 0-10V 10W E2 ELV 15W D2 0-10V 15W EB2 ELV (+VALUE) 15W ND Non-dimmable 15W |



NEW CONSTRUCTION IC

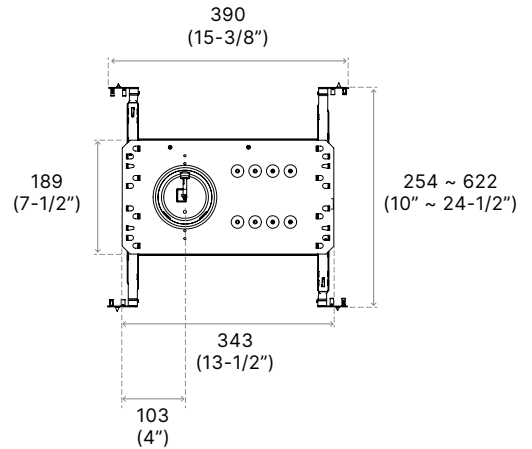
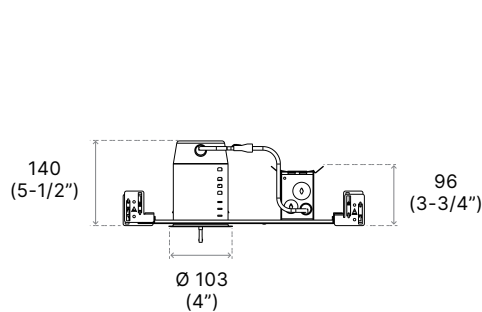


| | | | |
|-------------|----------|----------|--|
| NWUR | 4 | V | |
|-------------|----------|----------|--|

| 1. MODEL | 2. SERIES | 3. VOLTAGE | 4. DIMMING |
|--------------------------------------|-------------|----------------------|--|
| NWUR New Construction Housing | 4 4" | V 120-277V AC | E1 ELV 10W D1 0-10V 10W E2 ELV 15W D2 0-10V 15W EB2 ELV (+VALUE) 15W ND Non-dimmable 15W |

5. OPTION

EM Emergency Back up



Type

Project

Notes



ADVANT LIGHTING

HOUSINGS



Classic New Construction IC

| ISUR | 4 | V | |
|--------------------------------------|-------------|----------------------|---|
| 1. MODEL | 2. SERIES | 3. VOLTAGE | 4. DIMMING |
| ISUR IC and Air Tight Housing | 4 4" | V 120-277V AC | E1 ELV 10W E2 ELV 15W EB2 ELV (+VALUE) 15W D1 0-10V 10W D2 0-10V 15W ND Non-dimmable 15W |

