

Type

Project

Notes



AP-FR3J

Square Downlight Regressed Trim with Square Pinhole Aperture

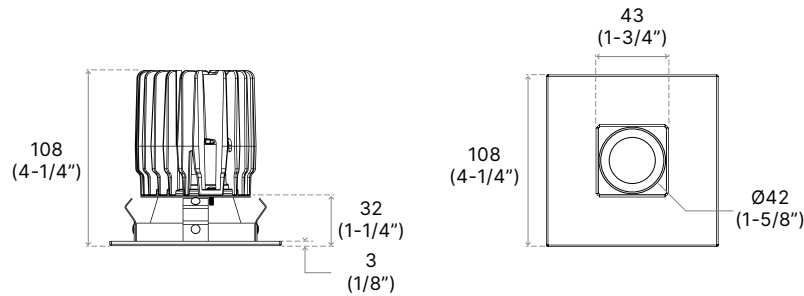
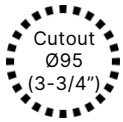
Housing-free light engine install quickly.

Ease of installation, fast-mount features.

*Ra80 is only with 2700K and 3000K



TECHNICAL DRAWING



Units in Metric

PRODUCT SPECIFICATIONS

Summary	AP-FR-3J-10	AP-FR-3J-15
Dimensions	108mm x 108mm x 112mm	108mm x 108mm x 112mm
Power Consumption	10 W	15 W
Lumen Output	561 lm	770 lm
Input Voltage	120-277V AC	120-277V AC
Colour Temperature	2700K, 3000K, 3500K, 4000K	2700K, 3000K, 3500K, 4000K, WD
Finish	Gold, Chrome, White, Brushed Nickel, Satin Nickel, Black	Gold, Chrome, White, Brushed Nickel, Satin Nickel, Black
CRI	*Ra80, Ra90	*Ra80, Ra90
Beam Angle	16° (Spot), 32° (Narrow Flood)	16° (Spot), 32° (Narrow Flood)
Warranty	5 Years	5 Years

ORDER FORM

1	2	3	4	5	6	7	8	9
1. FAMILY	2. SIZE	3. WATTAGE		4. VOLTAGE	5. CCT			
AP-FR	3J 108 x 108 x 112	10 10W 15 15W	A 120-277V AC	27 2700K 30 3000K	35 3500K 40 4000K	WD Warm Dimming (15W Only)		
6. DIMMING	7. CRI	8. BEAM ANGLE		9. FINISH				
DM 0-10V Dimming TRI TRIAC Dimming	80 *Ra80 90 Ra90	16 16° 32 32°	CH Chrome AL Aluminum	SN Satin Nickel BN Brushed Nickel	WH White BK Black			

Type _____

Project _____

Notes _____



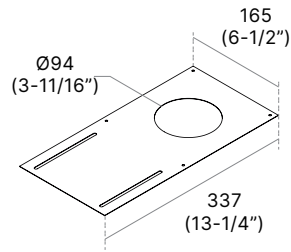
OPTIONS & ACCESSORIES

MOUNTING PLATE

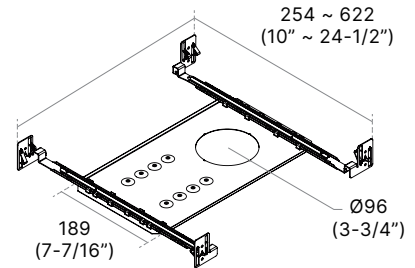
Ideal for unfinished basements and other renovation projects.
Choice of Square or Round for 3.5" Remodel housings.
Adjustable mounting bars included.



CODE	DESCRIPTION	HOLE DIAMETER	DIMENSIONS
P3RN	Without Mounting Bars	Ø94 (3-11/16")	165 x 337 (6-1/2" x 13-1/4")
P3RNW	With Mounting Bars	Ø96 (3-3/4")	388 x 254 ~ 622 (15-5/16" x 10" ~ 24-1/2")



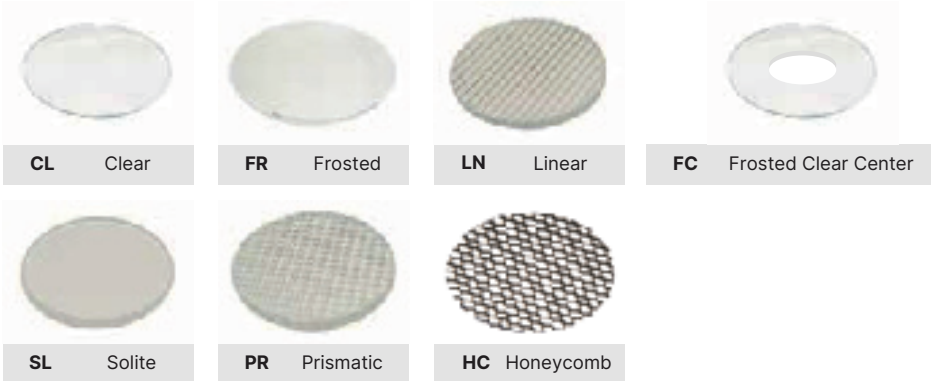
P3RN



P3RNW

LENSES

Choice of replacement lenses for on-site modification of light diffusion.
Shower Light trims available only with Frosted lens.
*Wall Wash trims available only with Frosted/Frosted lens.



Type

Project

Notes



HOUSINGS

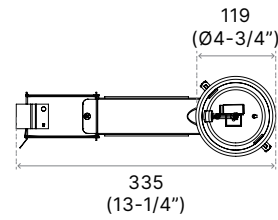
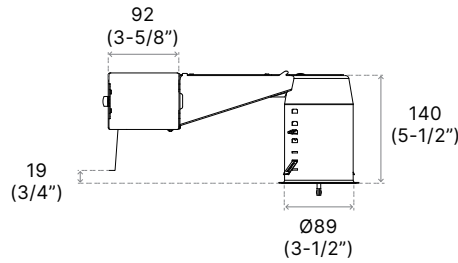


REMODEL IC

REUR	3	V	
------	---	---	--

1. MODEL 2. SERIES 3. VOLTAGE 4. DIMMING

REUR	Remodel Housing	3 3-1/2"	V 120-277V AC	E1 ELV 10W E2 ELV 15W EB2 ELV (+VALUE) 15W	D1 0-10V 10W D2 0-10V 15W ND Non-dimmable 15W
-------------	-----------------	-----------------	----------------------	---	--



NEW CONSTRUCTION IC

NWUR	3	V	
------	---	---	--

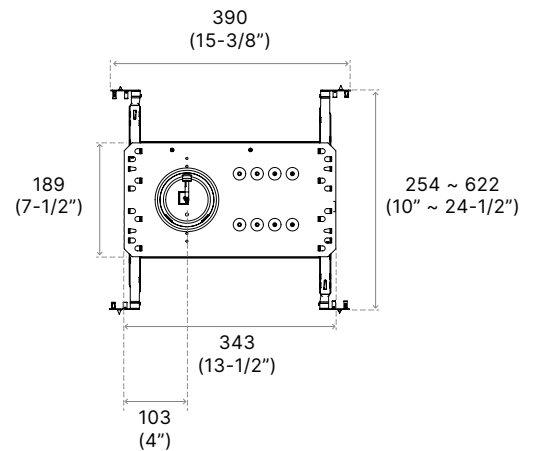
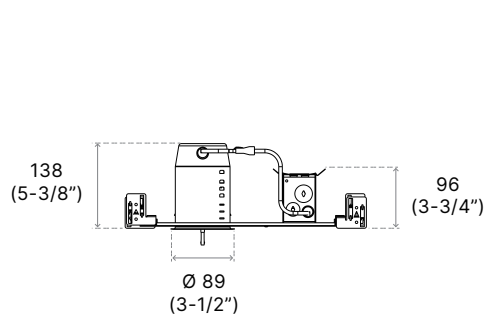
1. MODEL 2. SERIES 3. VOLTAGE 4. DIMMING

NWUR	New Construction Housing	3 3-1/2"	V 120-277V AC	E1 ELV 10W E2 ELV 15W EB2 ELV (+VALUE) 15W	D1 0-10V 10W D2 0-10V 15W ND Non-dimmable 15W
-------------	--------------------------	-----------------	----------------------	---	--



5. OPTION

EM Emergency Back Up



Type

Project

Notes



HOUSINGS



Classic New Construction IC

ISUR	3	V	
1. MODEL	2. SERIES	3. VOLTAGE	4. DIMMING
ISUR IC and Air Tight Housing	3 3-1/2"	V 120-277V AC	E1 ELV 10W D1 0-10V 10W E2 ELV 15W D2 0-10V 15W EB2 ELV (+VALUE) 15W ND Non-dimmable 15W

