

Type

Project

Notes



AP-FR3F

Round Downlight Regressed Trim with Pinhole Aperture

Housing-free light engine install quickly.

Ease of installation, fast-mount features.

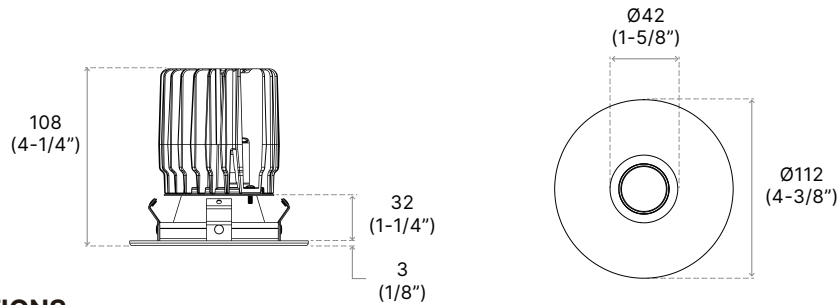
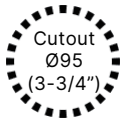
*Ra80 is only with 2700K and 3000K



IP20
RATED & TESTED

5 YEARS
LIMITED WARRANTY
INCLUDED

TECHNICAL DRAWING



Units in Metric

PRODUCT SPECIFICATIONS

Summary	AP-FR-3F-10	AP-FR-3F-15
Dimensions	Ø112mm x 108mm	Ø112mm x 108mm
Power Consumption	10 W	15 W
Lumen Output	618 lm	848 lm
Input Voltage	120-277V AC	120-277V AC
Colour Temperature	2700K, 3000K, 3500K, 4000K	2700K, 3000K, 3500K, 4000K, WD
Finish	Gold, Chrome, White, Brushed Nickel, Satin Nickel, Black	Gold, Chrome, White, Brushed Nickel, Satin Nickel, Black
CRI	*Ra80, Ra90	*Ra80, Ra90
Beam Angle	16° (Spot), 32° (Narrow Flood)	16° (Spot), 32° (Narrow Flood)
Warranty	5 Years	5 Years

ORDER FORM

1	2	3	4	5	6	7	8	9
1. FAMILY	2. SIZE	3. WATTAGE		4. VOLTAGE	5. CCT			
AP-FR	3F Ø112 x 108	10 10W	15 15W	A 120-277V AC	27 2700K	35 3500K	40 4000K	WD Warm Dimming (15W Only)
30 3000K								
6. DIMMING	7. CRI	8. BEAM ANGLE		9. FINISH				
DM 0-10V Dimming	80 *Ra80	16 16°	32 32°	CH Chrome	SN Satin Nickel	WH White		
TRI TRIAC Dimming	90 Ra90			AL Aluminum	BN Brushed Nickel	BK Black		

Type _____

Project _____

Notes _____



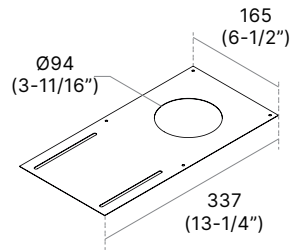
OPTIONS & ACCESSORIES

MOUNTING PLATE

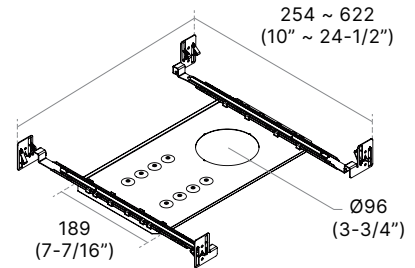
Ideal for unfinished basements and other renovation projects.
Choice of Square or Round for 3.5" Remodel housings.
Adjustable mounting bars included.



CODE	DESCRIPTION	HOLE DIAMETER	DIMENSIONS
P3RN	Without Mounting Bars	Ø94 (3-11/16")	165 x 337 (6-1/2" x 13-1/4")
P3RNW	With Mounting Bars	Ø96 (3-3/4")	388 x 254 ~ 622 (15-5/16" x 10" ~ 24-1/2")



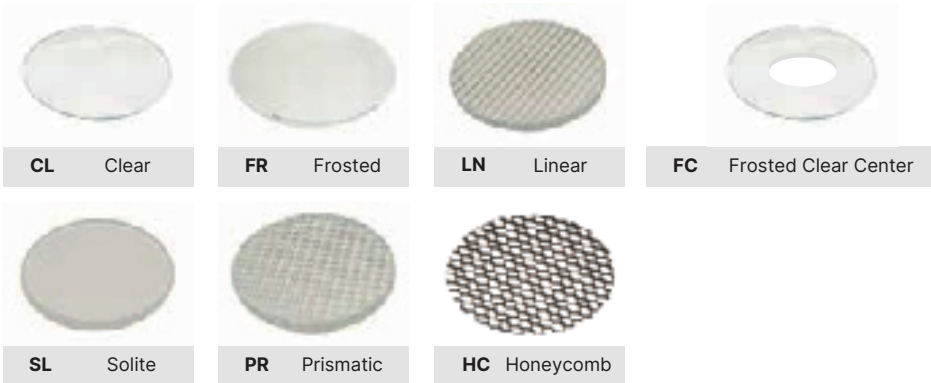
P3RN



P3RNW

LENSES

Choice of replacement lenses for on-site modification of light diffusion.
Shower Light trims available only with Frosted lens.
*Wall Wash trims available only with Frosted/Frosted lens.



Type

Project

Notes



HOUSINGS

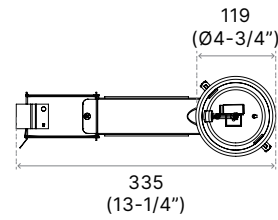
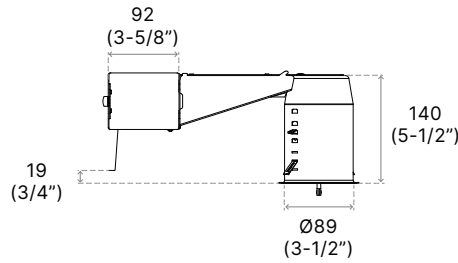


REMODEL IC

REUR	3	V	
-------------	----------	----------	--

1. MODEL 2. SERIES 3. VOLTAGE 4. DIMMING

REUR	Remodel Housing	3 3-1/2"	V 120-277V AC	E1 ELV 10W E2 ELV 15W EB2 ELV (+VALUE) 15W	D1 0-10V 10W D2 0-10V 15W ND Non-dimmable 15W
-------------	-----------------	-----------------	----------------------	-----------------------------------------------------------------------	--------------------------------------------------------------------------



NEW CONSTRUCTION IC

NWUR	3	V	
-------------	----------	----------	--

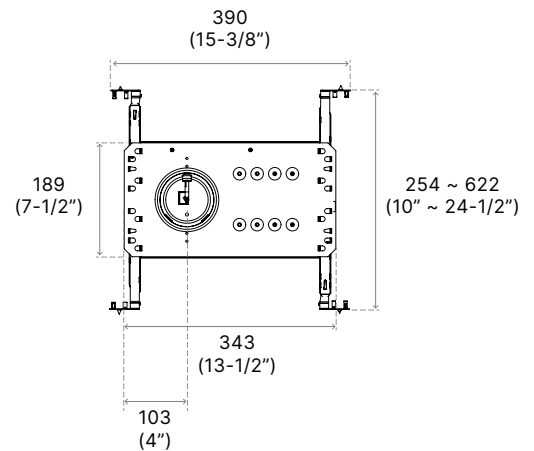
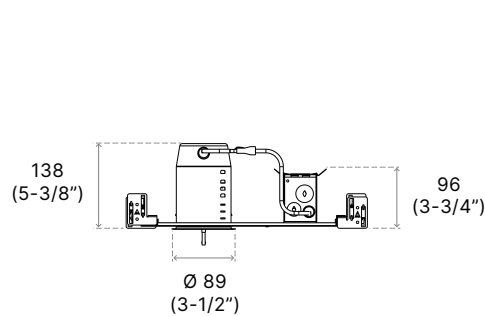
1. MODEL 2. SERIES 3. VOLTAGE 4. DIMMING

NWUR	New Construction Housing	3 3-1/2"	V 120-277V AC	E1 ELV 10W E2 ELV 15W EB2 ELV (+VALUE) 15W	D1 0-10V 10W D2 0-10V 15W ND Non-dimmable 15W
-------------	--------------------------	-----------------	----------------------	-----------------------------------------------------------------------	--------------------------------------------------------------------------



5. OPTION

EM Emergency Back Up



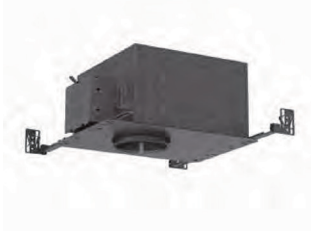
Type

Project

Notes



HOUSINGS



Classic New Construction IC

ISUR	3	V	
1. MODEL	2. SERIES	3. VOLTAGE	4. DIMMING
ISUR IC and Air Tight Housing	3 3-1/2"	V 120-277V AC	E1 ELV 10W D1 0-10V 10W E2 ELV 15W D2 0-10V 15W EB2 ELV (+VALUE) 15W ND Non-dimmable 15W

