

Type

Project

Notes



AP-FR3D

Round Adjustable Regressed Trim

Housing-free light engine install quickly.

Innovative tilting angle design.

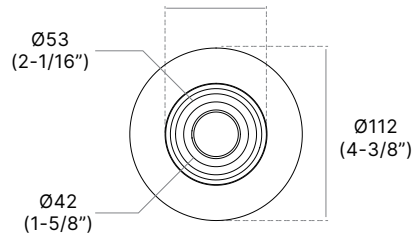
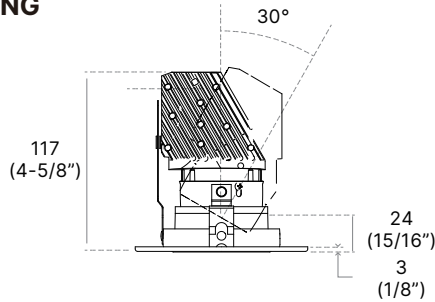
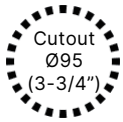
Ease of installation, fast-mount features.



IP20

5 YEARS LIMITED WARRANTY INCLUDED

TECHNICAL DRAWING



Units in Metric

PRODUCT SPECIFICATIONS

Summary	AP-FR-3D-10	AP-FR-3D-15	AP-FR-3D-24
Dimensions	Ø112mm x 117 mm	Ø112mm x 117 mm	Ø112mm x 117 mm
Power Consumption	10 W	15 W	24 W
Lumen Output	900 lm, 535 lm (WD)	1150 lm, 700 lm (WD)	1750 lm, 1000 lm (WD)
Input Voltage	120-277V AC	120-277V AC	120-277V AC
Colour Temperature	2700K, 3000K, 3500K, 4000K	2700K, 3000K, 3500K, 4000K, WD	2700K, 3000K, 3500K, 4000K, WD
CRI	Ra90	Ra90	Ra90
Beam Angle	*16° (Spot), 32° (Narrow Flood), 48° (Flood)	16°, 32°, 48°	16°, 32°, 48°
Warranty	5 Years	5 Years	5 Years

ORDER FORM

1. FAMILY	2. SIZE	3. WATTAGE	4. VOLTAGE	5. CCT	6. DIMMING	7. CRI	8. BEAM ANGLE	9. FINISH
AP-FR	3D Ø112 x 117	10 10W 15 15W 24 24W	A 120-277V AC	27 2700K 30 3000K 35 3500K 40 4000K	WD* Warm Dimming (3050K-1800K)	90 Ra90	16 16° 32 32° 48 48°	CH Chrome AL Aluminum SN Satin Nickel BN Brushed Nickel WH White BK Black

Type

Project

Notes



ADVANT LIGHTING

IMPORTANT

- WD*** Warm Dimming (3050K-1800K) Compatible with 15W and 24W drivers only. Spot (16°) beam angle is not available with WD option.
- 16*** 16° Spot (16°) beam angle is not available with WD option.

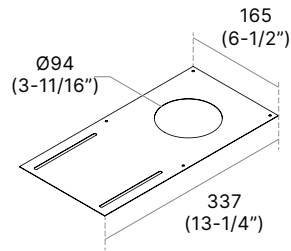
OPTIONS & ACCESSORIES

MOUNTING PLATE

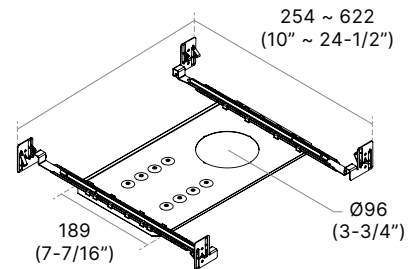
Ideal for unfinished basements and other renovation projects.
Choice of Square or Round for 3.5" Remodel housings.
Adjustable mounting bars included.



CODE	DESCRIPTION	HOLE DIAMETER	DIMENSIONS
P3RN	Without Mounting Bars	Ø94 (3-11/16")	165 x 337 (6-1/2" x 13-1/4")
P3RNW	With Mounting Bars	Ø96 (3-3/4")	388 x 254 ~ 622 (15-5/16" x 10" ~ 24-1/2")



P3RN



P3RNW

LENSES

Choice of replacement lenses for on-site modification of light diffusion.
Shower Light trims available only with Frosted lens.
*Wall Wash trims available only with Frosted/Frosted lens.



Type

Project

Notes



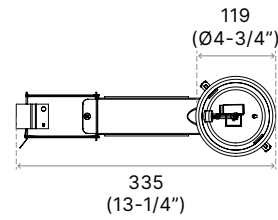
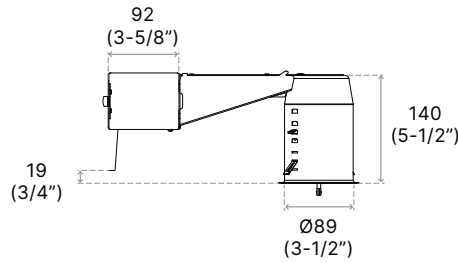
HOUSINGS



REMODEL IC

REUR	3	V	
-------------	----------	----------	--

1. MODEL	2. SERIES	3. VOLTAGE	4. DIMMING
REUR Remodel Housing	3 3-1/2"	V 120-277V AC	E1 ELV 10W D1 0-10V 10W E2 ELV 15W D2 0-10V 15W EB2 ELV (+VALUE) 15W ND Non-dimmable 15W



NEW CONSTRUCTION IC

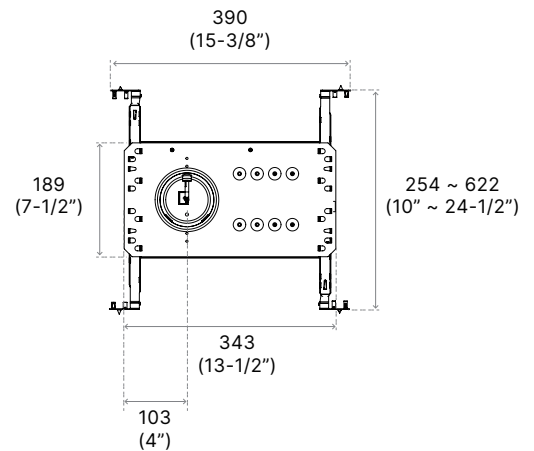
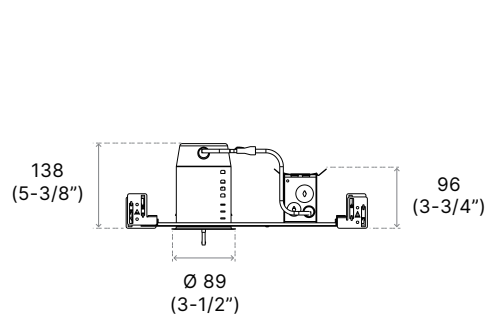


NWUR	3	V	
-------------	----------	----------	--

1. MODEL	2. SERIES	3. VOLTAGE	4. DIMMING
NWUR New Construction Housing	3 3-1/2"	V 120-277V AC	E1 ELV 10W D1 0-10V 10W E2 ELV 15W D2 0-10V 15W EB2 ELV (+VALUE) 15W ND Non-dimmable 15W E3 ELV 24W D3 0-10V 24W

5. OPTION

EM Emergency Back Up



Type

Project

Notes



HOUSINGS



Classic New Construction IC

ISUR	3	V	
1. MODEL	2. SERIES	3. VOLTAGE	4. DIMMING
ISUR IC and Air Tight Housing	3 3-1/2"	V 120-277V AC	E1 ELV 10W E2 ELV 15W EB2 ELV (+VALUE) 15W D1 0-10V 10W D2 0-10V 15W ND Non-dimmable 15W

