

TYPE	
PROJECT	
NOTES	



## ADL-PAL-0301E

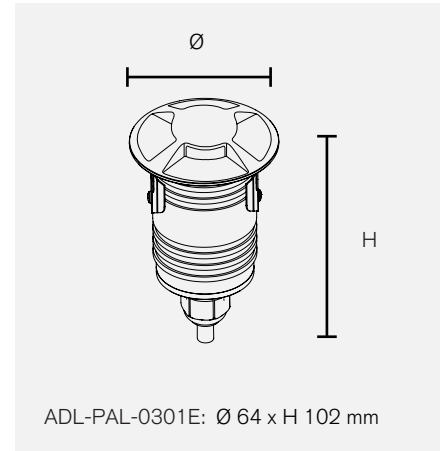
### Aluminium Path Light

For outdoor, recessed, path, decking  
 External driver - 2M of power cable  
 Weather resistant hard anodized finish  
 Professional optical lens



## PRODUCTS

Summary	ADL-PAL-0301E
Dimensions (mm)	Ø 64 x H 102
Lumen Output	250 lm
Power Consumption	3 W
Input Voltage	24V DC
Colour Temperature	3000K, 4000K, 5000K, Red, Green, Blue
IP	67
Finish	Weather resistant hard anodized finish
Warranty	5 Years



## ORDER FORM

ADL-PAL-0301E			
1	2	3	4
<b>1. FAMILY</b>	<b>2. CCT</b>	<b>3. LENS OPTIONS</b>	<b>4. OPTIONAL ACCESSORIES</b>
ADL-PAL-0301E	<b>30</b> 3000K <b>R</b> Red <b>40</b> 4000K <b>G</b> Green <b>50</b> 5000K <b>B</b> Blue	<b>1</b> Frosted glass lens <b>2</b> Silk-screen glass lens	<b>A</b> Mounting Sleeve <b>B</b> IP68 Single Fixture Junction Box <b>C</b> IP68 Continuous Fixture Junction Box