

TYPE	
PROJECT	
NOTES	



AD-MD1115 SERIES

Circular Suspension Light

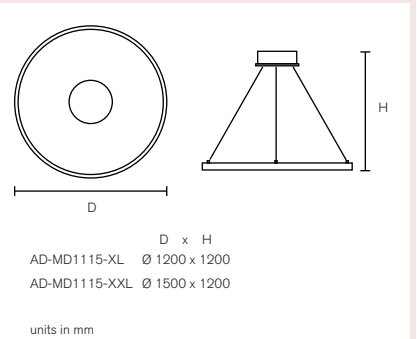
Intended for indoor use
 Suitable for ceiling mounting
 TRIAC dimmable
 Aluminum and acrylic housing



Left: AD-MD1115-M
 Right: AD-MD1115-L

PRODUCT SPECIFICATION

Summary	AD-MD1115-XL	AD-MD1115-XXL
Dimensions (mm)	Ø 1200 x 1200	Ø 1500 x 1200
Power Consumption	100 W	120 W
Lumen Output	8,000 lm	10,000 lm
CRI	Ra 80, Ra 90	
Input Voltage	120V AC	
Colour Temperature	3000K, 3500K, 4000K	
IP	20	
Warranty	5 Years	



ORDER FORM

AD-MD1115					
1	2	3	4	5	6
I. FAMILY	2. SIZE	3. CCT	4. Finish	5. CRI	6. Dimming Option
AD-MD1115	XL Ø 1200 x 1200 XXL Ø 1500 x 1200	30 3000K 35 3500K 40 4000K	WH White BL Black SV Silver — Custom	80 Ra 80 90 Ra 90	DM 0-10V TR TRIAC