

LIGHTING FIXTURE ASSEMBLY & INSTALLATION INSTRUCTIONS

Please read carefully and save these instructions, as you may need them at a later date.

CAUTION

Turn off the main power at the circuit breaker before installing the fixture, in order to prevent possible shock.

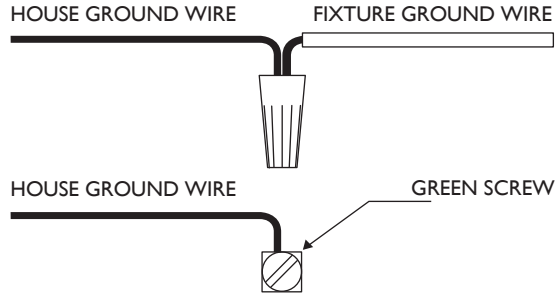
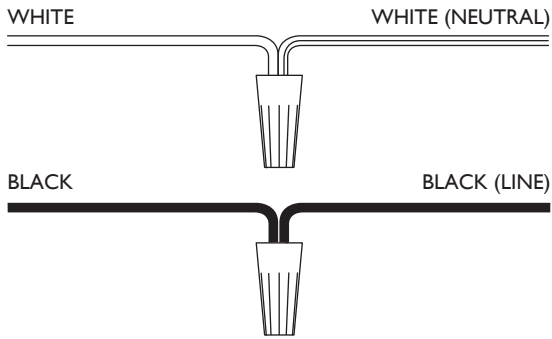
ASSEMBLY INSTRUCTIONS

1. Turn off the power.
2. Pull the supply wires and house ground wire out from the junction box.
3. Make the wiring connections: white to white, black to black, ground wire to ground wire using P3 wire connectors and green screw. Carefully tuck all wires back into the junction box.
4. Keyhole: Secure the fixture to the ceiling with anchor ($\varnothing 9 \times 25\text{mm}$) and anchor screw ($\varnothing 4 \times 25\text{mm}$). Position your fixture at the desired location. Be sure the fixture wires and fixture ground wire can reach the junction box. Mark the location of the keyhole slots located on the canopy or black panel. Be sure to mark only the narrow parts of the keyhole slots. Remove the canopy or back panel from the ceiling. Drill the holes using the appropriately sized drill bit. Insert the provided anchor ($\varnothing 9 \times 25\text{mm}$) into the holes. Screw the anchor screws ($\varnothing 4 \times 25\text{mm}$) halfway into the anchors ($\varnothing 9 \times 25\text{mm}$).
5. Junction Box: Secure the mounting bracket to junction box directly using mounting screws ($8/32'' \times 38\text{mm}$).
6. Secure the canopy or back panel to the mounting bracket with decorative nuts. And tighten the anchor screw ($\varnothing 4 \times 25\text{mm}$) into the anchor ($\varnothing 9 \times 25\text{mm}$).
7. Install the bulb into socket. Do not exceed the recommended wattage (does not apply to LED fixtures).
8. After installing the fixture, caulk the upper 2/3 section of the wall plate to mounting surface. Leave the bottom 1/3 un-caulked for drainage of any water that might leak into the enclosure. The manufacturer recommends a non-drying exterior caulking material. A good example is a clear silicone rubber sealant for exterior use.
9. The installation height of outdoor fixture is min 1.2 meter.

GENERAL

All electrical connections must be in accordance with local and national electrical code (N.E.C) standards. If you are unfamiliar with proper electrical wiring connections obtain the services of a qualified electrician. Remove the fixture and the mounting package from the box and make sure that no parts are missing by referencing the illustrations on the installation instructions.

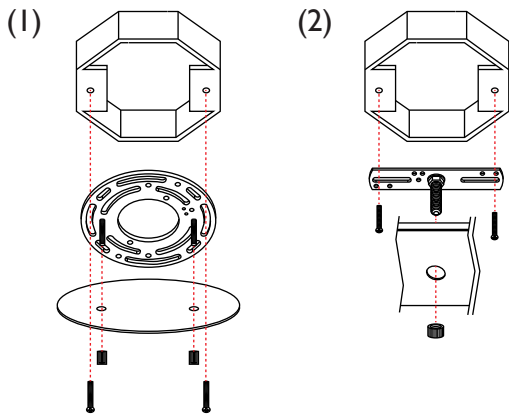
WIRE CONNECTION



JUNCTION BOX

PENDANT FIXTURE

ALL MOUNTING SCREWS TO OUTLET BOX ARE 8/32" x 38mm



KEYHOLE

