

Type	
Project	
Notes	



ARL-CV3C

Rigid Strip Light

Corrosion resistant anodized aluminum profile and perforated mask over clear PMMA lens

IP65 rated

Stainless steel brackets

DMX control with auto-addressing features

Colour variation within 3-step MacAdam



PRODUCT SPECIFICATIONS

Summary	ARL-48CV3C	ARL-24CV3C	ARL-12CV3C
LED Quantity	48	24	12
Power Rating	11.52 W	5.76 W	2.88 W
Luminous Flux	864 lm	432 lm	216 lm
Dimensions (mm)	1000 x 26.1 x 27.3	507 x 26.1 x 17.3	259 x 26.1 x 27.3
Weight	0.69kg	0.35kg	0.18kg
Luminous Efficacy		75 lm/W	
Viewing Angle		>110 °	
Input Voltage		24V DC	
Operating Temperature		-40°C~50°C	
Life Span		> 50000 hours	
IP		65	
Warranty		5 years	

Ingress Protection

Input Voltage



Recessed

Cove

Direct View

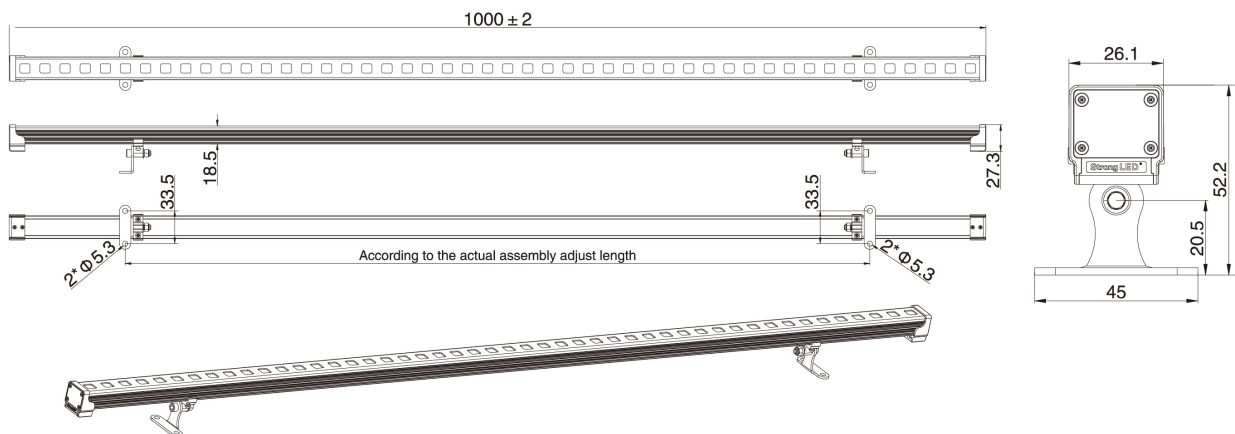


LED Type



RGBW

Turnable Colour Temperature



ORDER FORM

ARL	-CV3C			
-----	-------	--	--	--

1

2

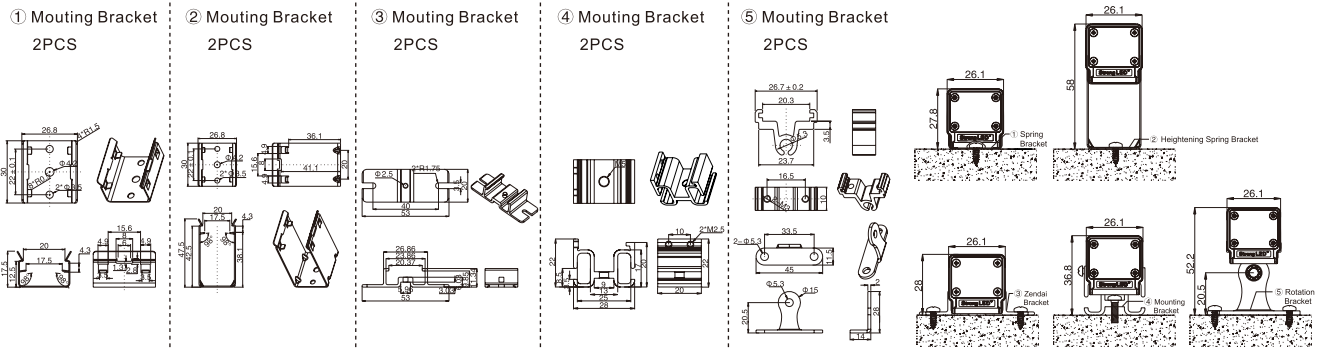
3

4

5

1. FAMILY	2. LED Quantity	3. Voltage	4. CCT	5. MOUNTING OPTIONS	
ARL-XXCV3C	12 12 24 24 48 48	I 24V DC	27 2700K 30 3000K 40 4000K 50 5000K	B Blue A Amber R RGB W RGB + White	I Surface 2 Tilt 3 Snap-It

INSTALLATION GUIDE



PHOTOMETRY

Lamp Source: CREE SMD 3535
Beam Angle: 110°

Note: The test data in full color
45 light fixtures measured
specifications only

