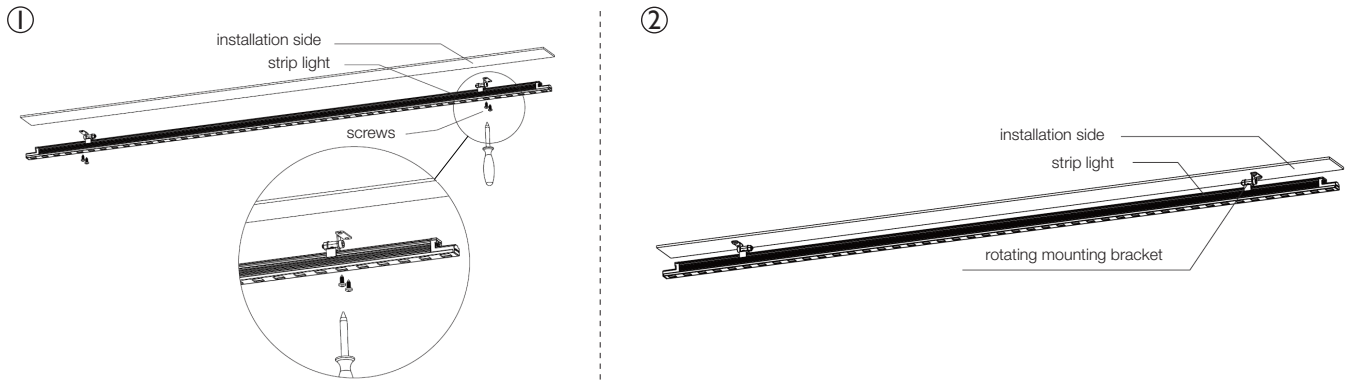


ARL-CV3B INSTALLATION GUIDE



SYSTEM DIAGRAM

Data Cable colour definition		
1	Red	DMX+
2	White	VCC-
3	Green	CFG (in/out)
4	Blue	DMX-
5	Grey	VCC+
6	Black	GND

